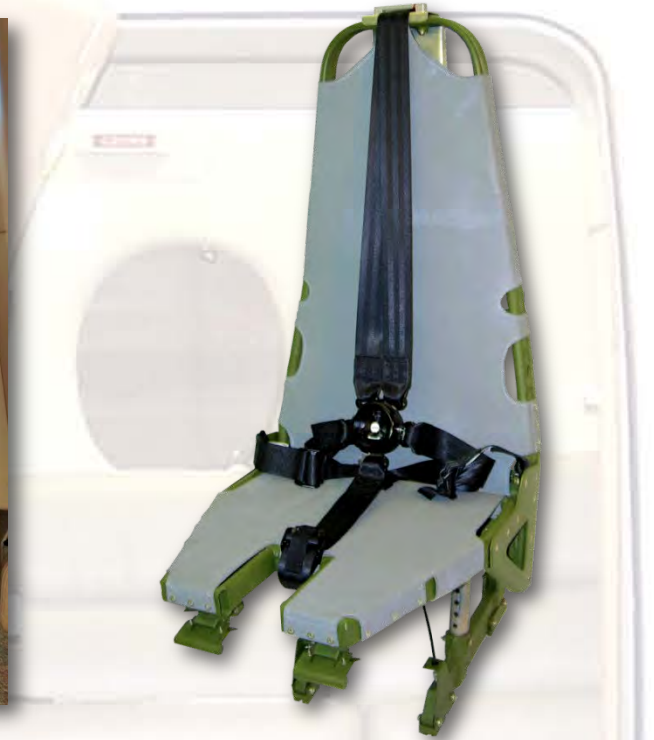
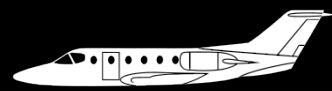


Beechjet Products & Services Catalog





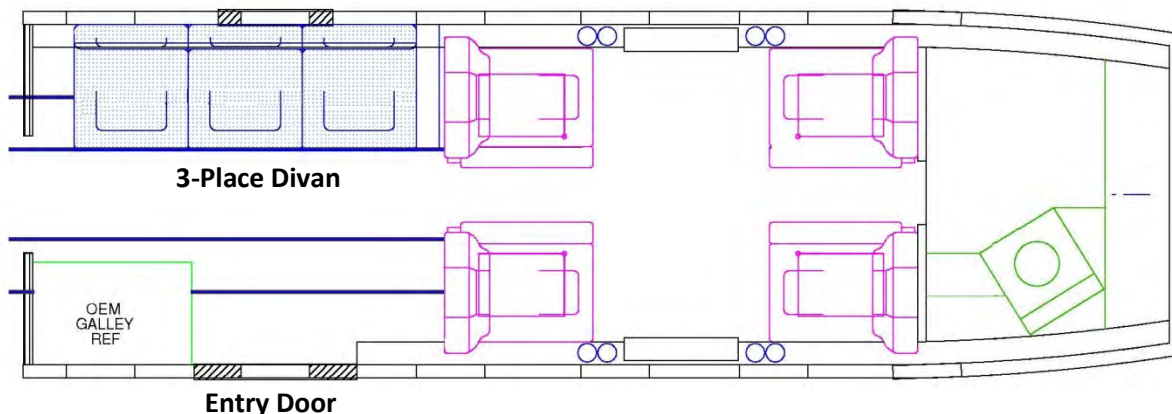
3-Place Divan



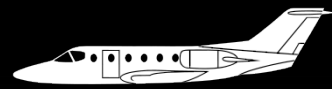


3-Place Divan

Part Number:	32-0396	3 place divan
Applicable Aircraft:	Beechjet 400A Hawker Beechcraft 400A Hawker 400XP (400A) 400XT, 400A/XP	
Features:	Perfect for adding a passenger and it changes the cabin giving it a more open, fresher look.	
Options:	End cap arm rest with drink holders Arm rest on ends.	
Details:	Kit includes seat belts, inertia reel shoulder harness, track fittings, life vests, STC, and installation instructions. It also includes close-out panels. This allows 15 pounds per section or a total of 45 pounds to be stored under the divan.	
Limitations:	Installer must insure there is adequate oxygen available.	
Installation:	No airframe modification is required other than removing existing seats and furnishings, and setting the divan in the desired location (complete installation instructions, diagrams, and weight and balance data are included in the kit). Inertia Reel Shoulder Harness is mounted to the divan.	
Approval Type:	STC and PMA, eliminating the need for field approval.	
STC Number:	U.S. FAA: ST01572WI EASA: 10029817 China VSTC 0662	Beechjet 400A only
Lead Time:	Divans are normally in stock and available for immediate world-wide shipment, however fluctuations in demand may cause up to a 30 day delivery delay.	



BeechJet 400 3-Place Divan Floorplan



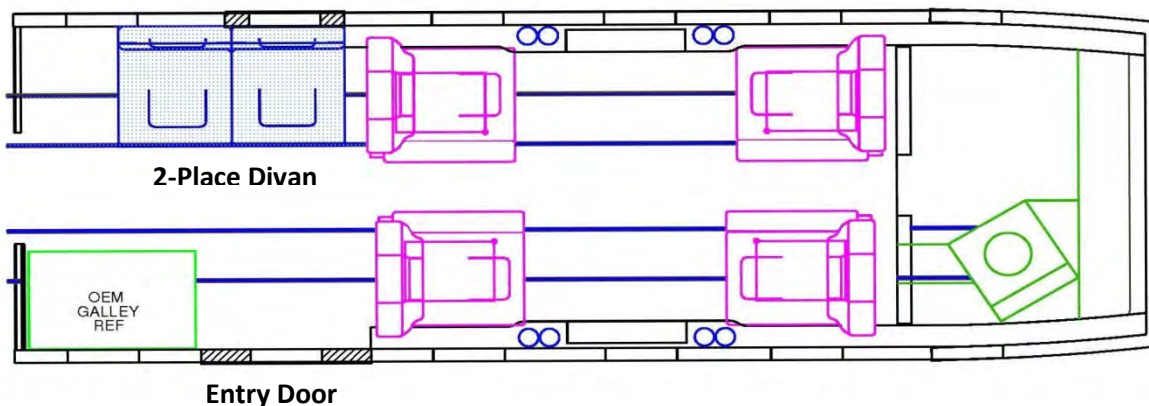
2-Place Divan



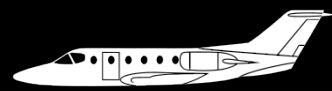


2-Place Divan Details

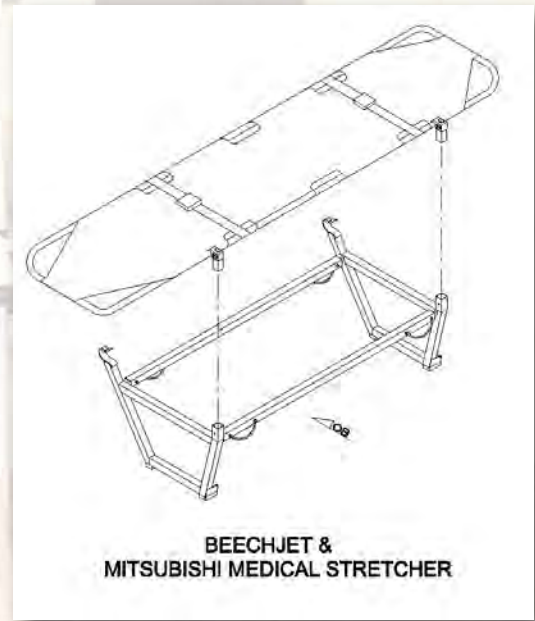
- Part Number:** 32-0377 2 place divan
- Applicable Aircraft:** Beechjet 400 & 400A
Hawker Beechcraft 400A
400A/XP, 400XT
- Features:** Perfect for adding a passenger and it changes the cabin giving it a more open, fresher look.
- Options:** Close-out panels. This allows 15 pounds per section or a total of 30 pounds to be stored under the divan.
End Cap armrests with drink holders.
End Cap cabinets with storage.
- Details:** Kit includes seat belts, inertia reel shoulder harness, track fittings, life vests, STC, and installation instructions.
- Limitations:** Installer must insure there is adequate oxygen available.
- Installation:** No airframe modification is required other than removing existing seats and furnishings, and setting the divan in the desired location (complete installation instructions, diagrams, and weight and balance data are included in the kit). Inertia Reel Shoulder Harness is mounted to the divan.
- Approval Type:** STC and PMA, eliminating the need for field approval.
- STC Number:** U.S. FAA: ST01572W1
EASA: 10029817
China: VSTC 0662 Beechjet 400A only
- Lead Time:** Divans are normally in stock and available for immediate world-wide shipment, however fluctuations in demand may cause up to a 30 day delivery delay.



BeechJet 400 2-Place Divan Floorplan



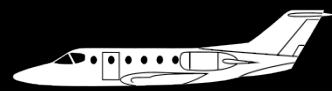
Medical Stretcher





Medical Stretcher

Part Number:	32-0221K-101 – Left Side Stretcher 32-0221K-102 – Right Side Stretcher
Applicable Aircraft:	Beechjet 400 and 400A Hawker Beechcraft 400A
Features:	The Beechjet Stretcher Kit provides an operator with the option of transporting an ill or injured non-critical patient. These stretchers are ideal as an economical alternative to complete Medevac systems for the operator who doesn't need critical care medical equipment.
Details:	Kit includes mounting apparatus, litter, restraint system, detailed installation instructions, and weight and balance data. See attached installation details for dimensions.
Limitations:	On 400A aircraft serial number RK-116 and later the sidewall table will have to be removed to install the stretcher.
Installation:	Initial installation can be accomplished by simply removing the seats on the applicable side of the aircraft, and sliding the stretcher on existing seat rails. On Beechjet 400A serial number RK-116 and later the sidewall tables will have to be removed.
Approval Type:	FAA STC approved, eliminating the need for field approval.
STC Number:	FAA SA3895NM EASA (Italy) CS-092
Lead Time:	Stretchers are normally in stock and available for immediate world-wide shipment, however, fluctuations in demand may cause up to a 30 day delivery delay.



ISR Operator Seat





Operator Seat Details

Part Number: 32-0393

Description: AvFab has invested considerable attention toward supporting Special Missions and Intelligence, Surveillance and Reconnaissance (ISR) aircraft seating needs. Our robust ISR Operator seat is now operational in the U.S. Air Force T1A "Jayhawk"

Options: Stowable Armrests

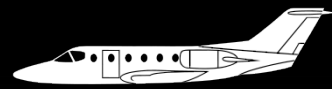
Features: AvFab's Operator Seat provides a robust design that is well-suited for the demanding requirements of any ISR theater, while weighing in at only 32.5 pounds. Maximum operator comfort is ensured from design features that include vertical seat adjustment of 3", 5-point restraint system, stowable arm rests, and fore-aft floor tracking is controlled via a convenient hand lever.

Approvals: Requires 8110-3

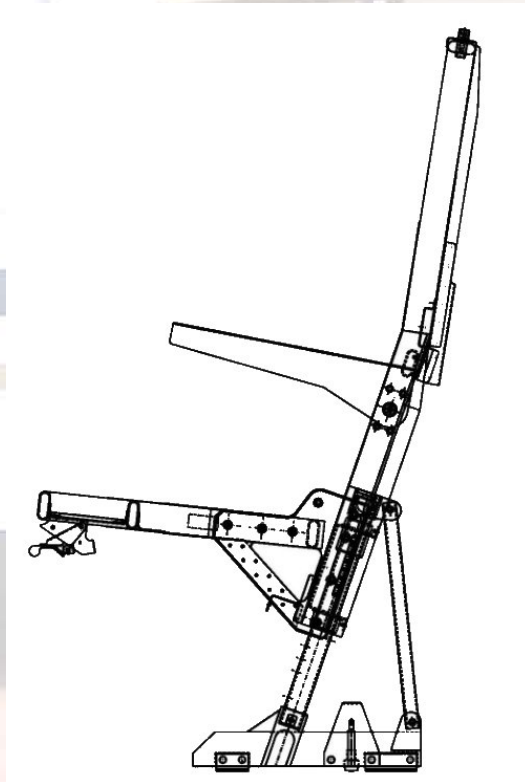
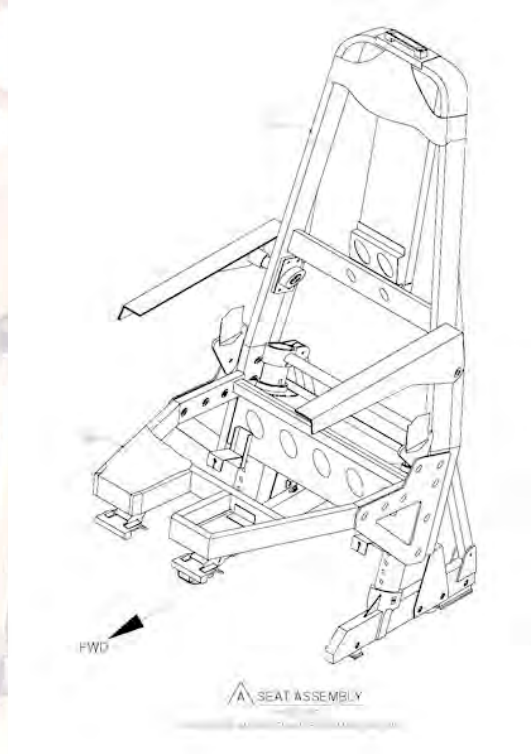
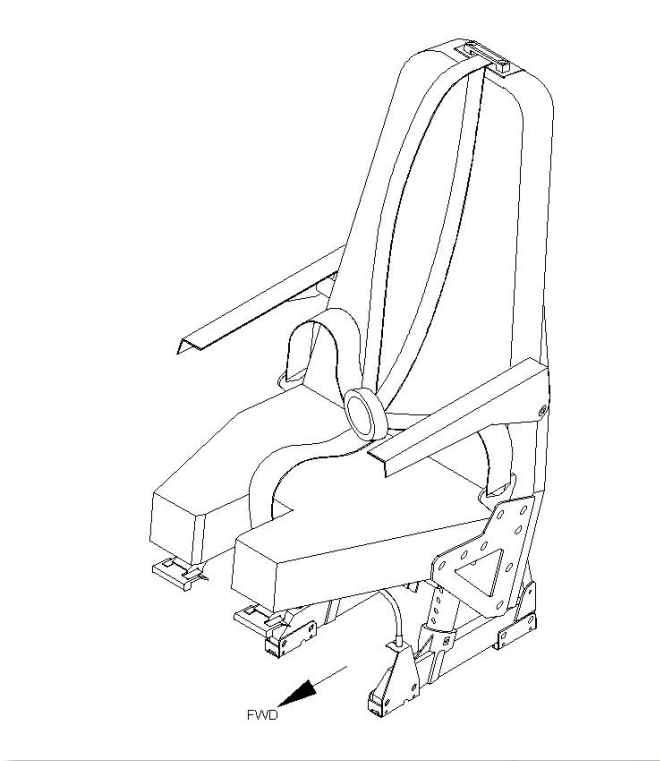
Installation: Easily installs in OEM Brownline seat tracks. No special tools or equipment required.

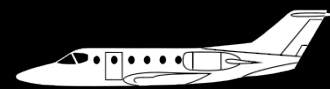
Lead Time: Contact AvFab for current lead times.





Operator Seat Line Drawings





Beechjet Certified Repair Services

Flushing Units



Seat Repair & Overhaul



Wood & Composites Interior Furniture Cabinetry



Coffee Makers, Heated Liquid Containers



Learn more about Avfab's comprehensive line of products & services at www.AvFab.com



Aviation Fabricators

805 North Fourth Street

Clinton, MO 64735

(660) 885-8317

www.AvFab.com